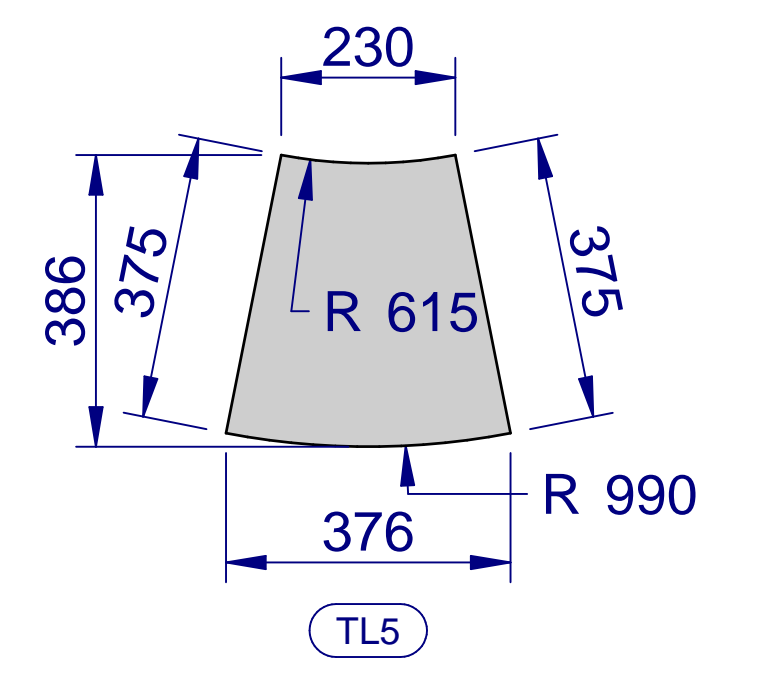
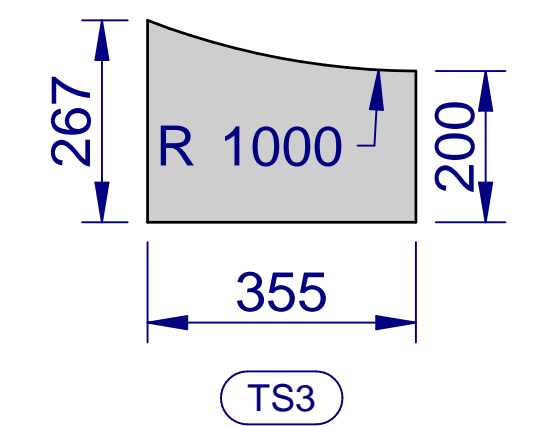
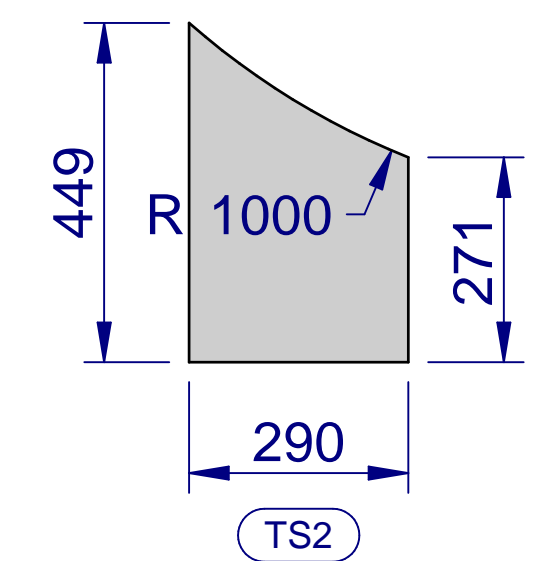
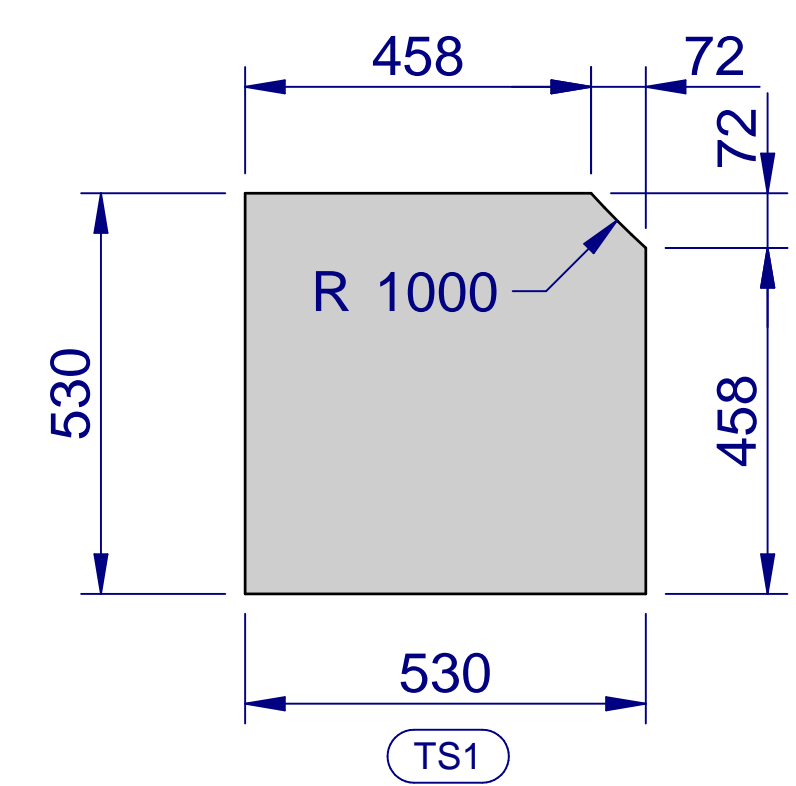
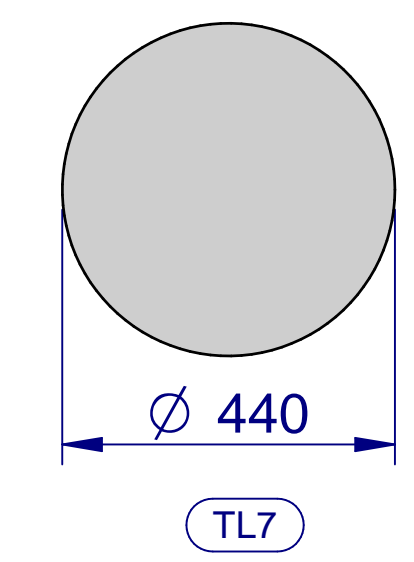
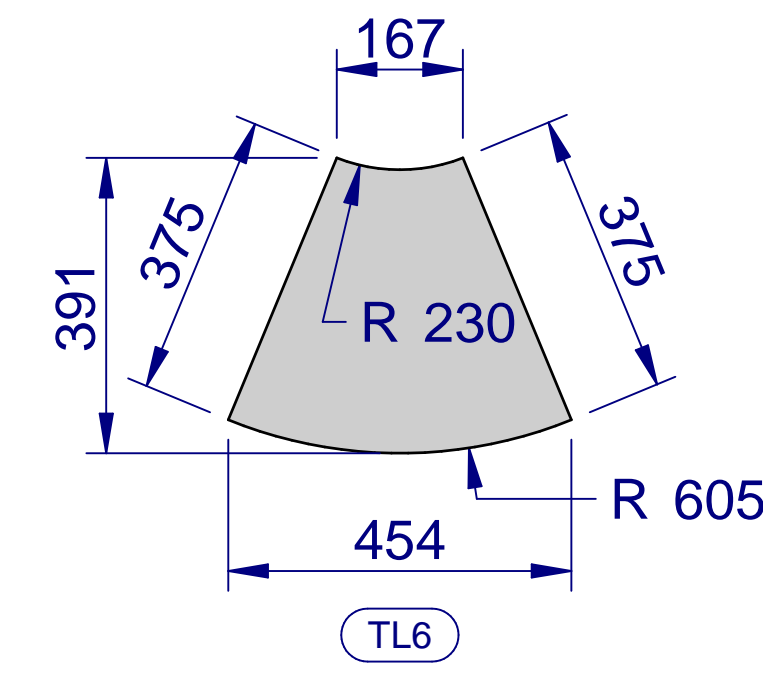
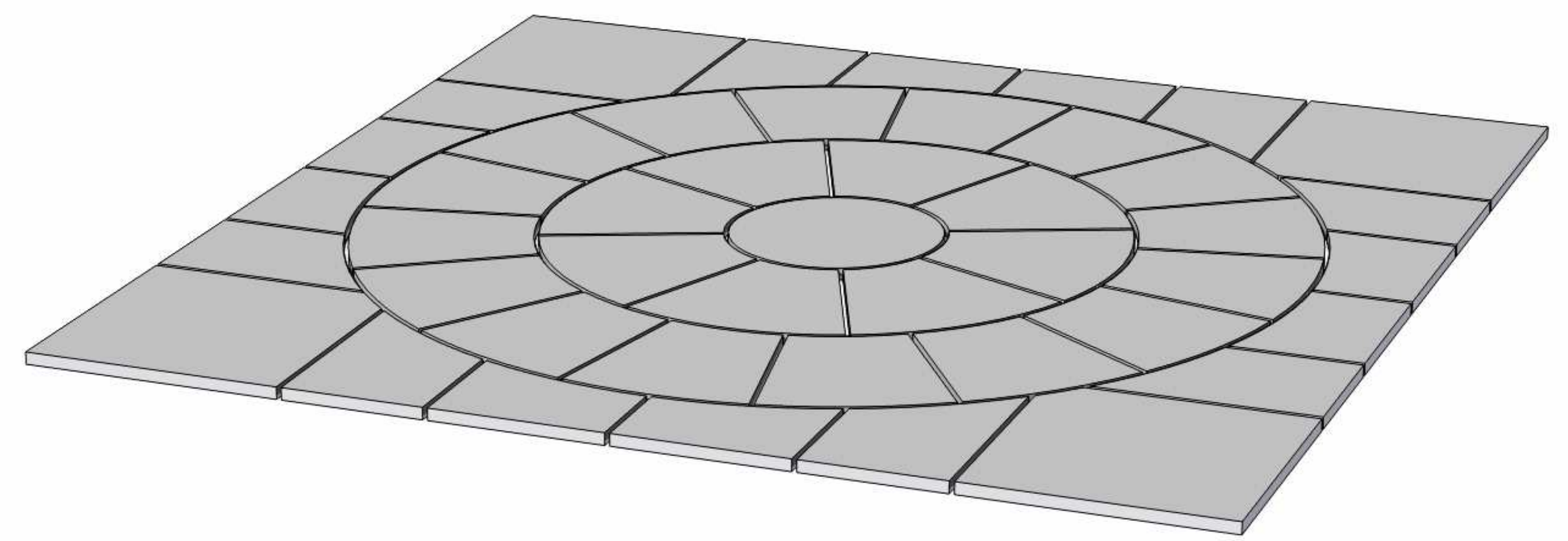
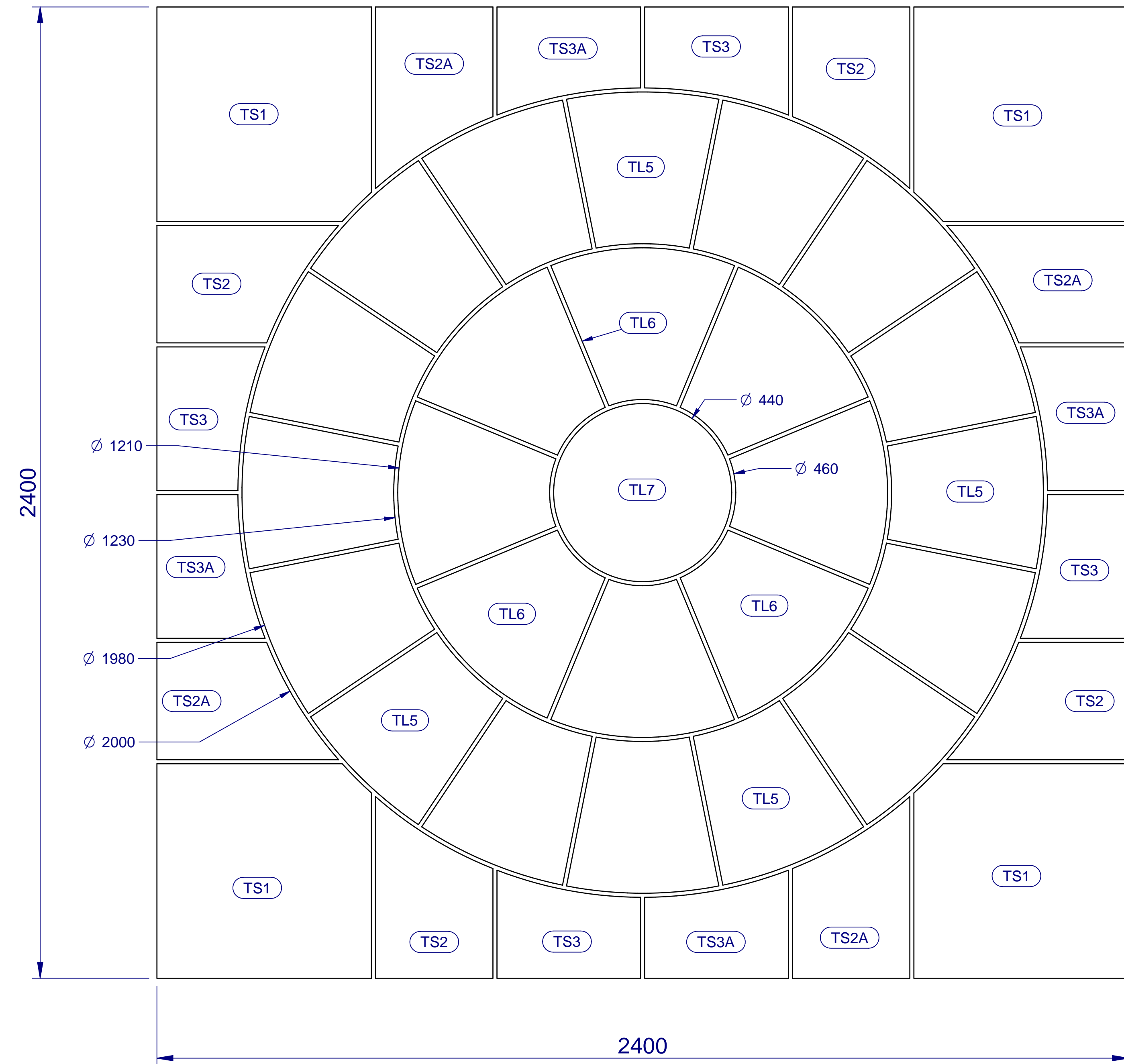


A1	REVISION	DATE	MODIFICATION	BY
	A2	29-05-12	PATTERNS TS4 & TS5 ADJUSTED FOR GROUTING	SM
	A3	06-12-13	DRG BORDER CHANGED	SM



PATTERN PARTS LIST				
Part No.	Title	Quantity	Mass (Item)	Mass (Quantity)
TL5	25mm thk Stone Flag	16	6.9 kg	109.9 kg
TL6	25mm thk Stone Flag	8	7.2 kg	57.2 kg
TL7	25mm thk Stone Flag	1	9.1 kg	9.1 kg
TS1	25mm thk Stone Flag	4	16.7 kg	66.8 kg
TS2	25mm thk Stone Flag	4	6.1 kg	24.3 kg
TS2A	25mm thk Stone Flag	4	6.1 kg	24.3 kg
TS3	25mm thk Stone Flag	4	4.7 kg	18.9 kg
TS3A	25mm thk Stone Flag	4	4.7 kg	18.9 kg



Natural Paving Products (UK) Ltd.
 Belton Road, Sandtoft, Doncaster
 North Lincolnshire DN8 5SX
www.naturalpaving.co.uk

The information contained in this drawing may not be reproduced, transmitted, transcribed, translated into any language human or electronic, stored in any electronic retrieval system, in any form without prior permission of Natural Paving Products (UK) Ltd.

DIMENSIONS IN MILLIMETRES (mm)
 SURFACE TEXTURE VALUES IN µm
 DIMENSIONAL TOLERANCES UNLESS OTHERWISE STATED ±0.5

DRAWN BY S. Milburn
 DATE DRAWN 29/05/2012
 SCALE NOTED @ A1

MATERIAL

DESCRIPTION

PAVING PATTERN DETAILS
 2.4m x 2.4m

DRG. No.

GDS-NP06-004

REVISION

A3